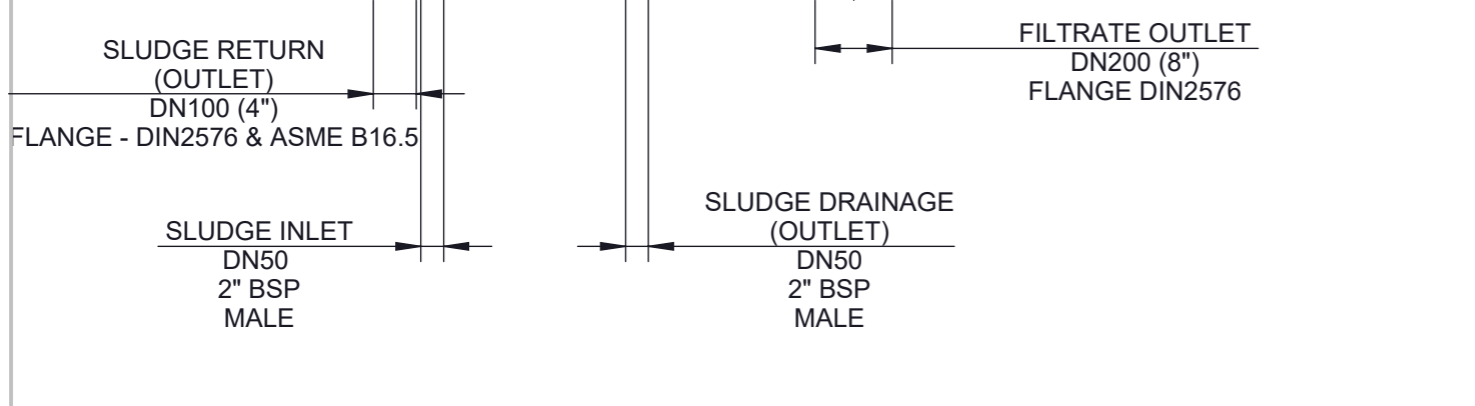


□ in inches

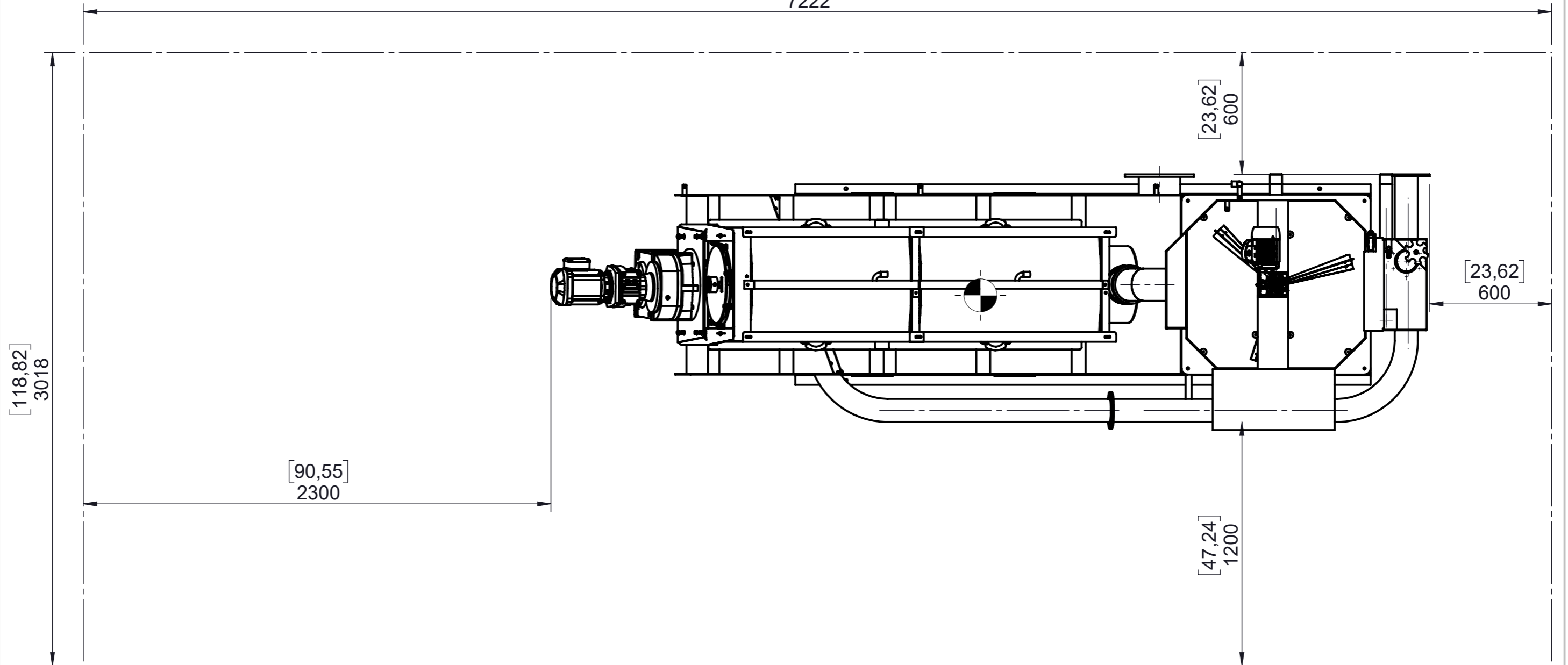


UNLESS OTHERWISE SPECIFIED, ALL DIMENSIONS ARE IN MILLIMETERS		SURFACE FINISH:		PROJECTION: ISO-E	SEMIPRODUCED MATERIAL
				TOLERATION: ISO 2768 m K	PROTECTED ACCORDING TO ISO 16016
				ACCURACY: ISO 8015	
NAME	SIGNATURE	DATE	pondělí 27. ledna 2014	NAME:	MP-DW-401
DRAWN BY: ING. TOMÁŠ MÍVALT		CHANGED	pondělí 1. února 2021	DRAWING NO:	
		ASSEMBLY NO:	T-04-01	DRAWING NO:	T-04-01_12
		MATERIAL:		SCALE: 1:20	A3
		MASS: 1609885,59 g		SHEET 1 FROM 3 SHEETS	

MIVALT
obchodní firma
www.mivalt.cz

DOPORUČENÝ MANIPULAČNÍ PROSTOR RECOMMENDED SPACE

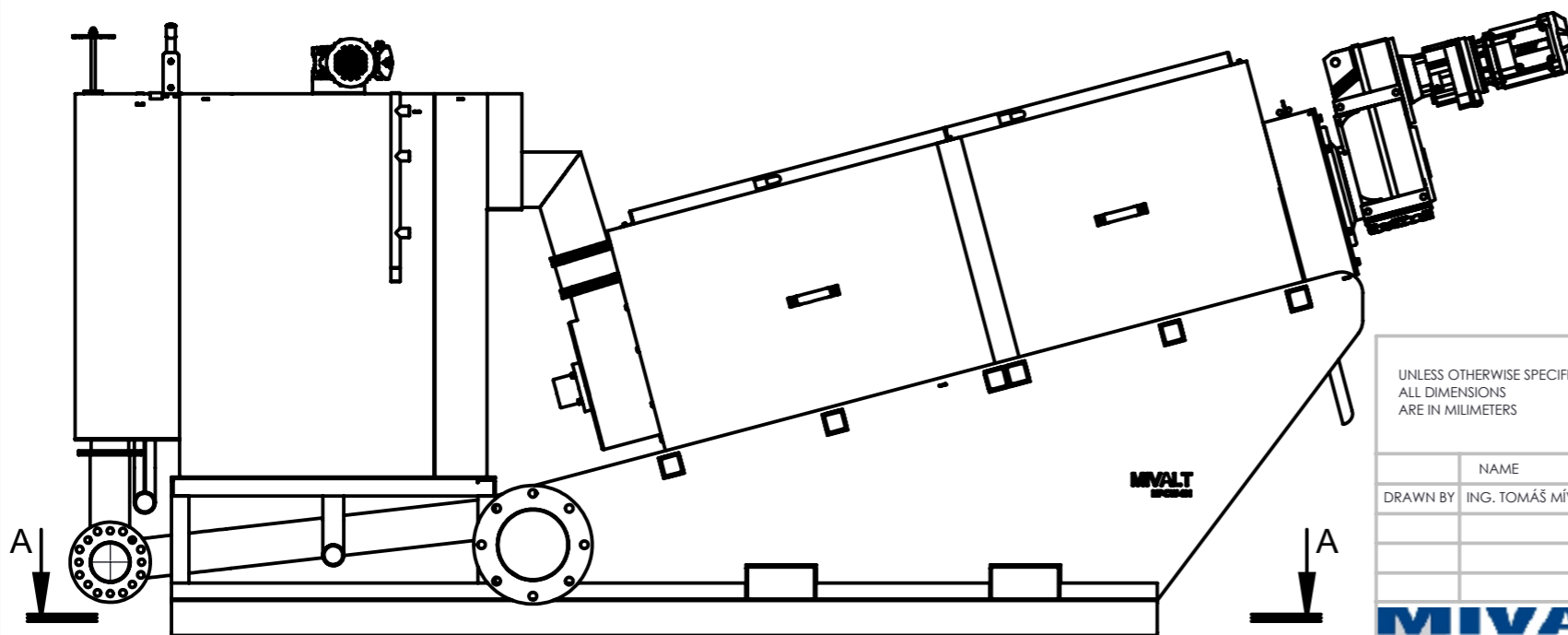
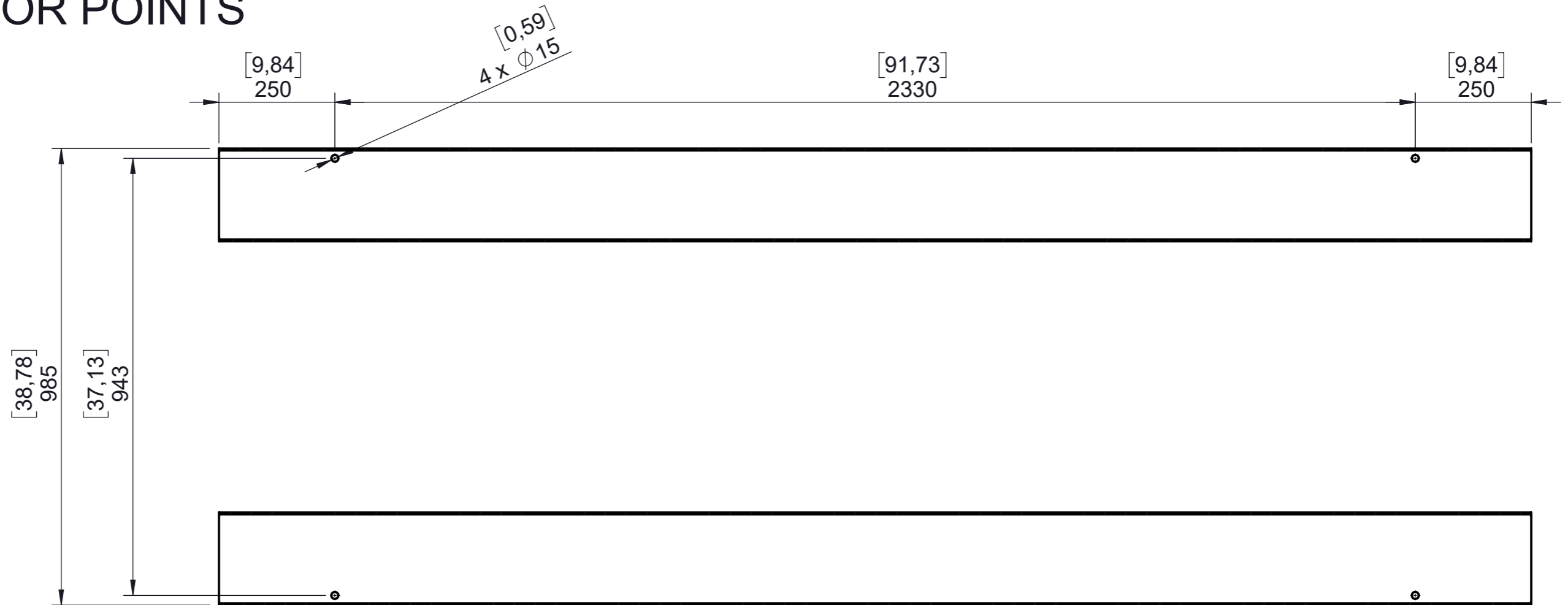
[284,33]
7222



□ in inches

UNLESS OTHERWISE SPECIFIED, ALL DIMENSIONS ARE IN MILLIMETERS		SURFACE FINISH:		PROJECTION: ISO-E	SEMI-PRODUCED MATERIAL	
				TOLERATION: ISO 2768 m K	PROTECTED ACCORDING TO ISO 16016	
				ACCURACY: ISO 8015		
DRAWN BY	NAME	SIGNATURE	DATE	pondělí 27. ledna 2014	NAME:	
	ING. TOMÁŠ MÍVALT		CHANGED	pondělí 1. února 2021	MP-DW-401	
					DRAWING NO: T-04-01_12	
			ASSEMBLY NO:	T-04-01	A3	
MIVALT obchodní společnost		MATERIAL:		SCALE: 1:20		SHEET 2 FROM 3 SHEETS
www.mivalt.cz		MASS: 1609885.59 g				

KOTEVNÍ BODY ANCHOR POINTS



□ in inches

UNLESS OTHERWISE SPECIFIED, ALL DIMENSIONS ARE IN MILLIMETERS		SURFACE FINISH:		PROJECTION: ISO-E	SEMIPRODUCED MATERIAL	
				TOLERATION: ISO 2768 m K	PROTECTED ACCORDING TO ISO 16016	
				ACCURACY: ISO 8015		
DRAWN BY: ING. TOMÁŠ MÍVALT		SIGNATURE:	DATE: pondělí 27. ledna 2014	NAME: MP-DW-401		
		CHANGED:	pondělí 1. února 2021	DRAWING NO: T-04-01_12		
		ASSEMBLY NO: T-04-01		SCALE: 1:20		
www.mivalt.cz		MATERIAL:		SHEET 3 FROM 3 SHEETS		
		MASS: 1609885,59 g		A3		