

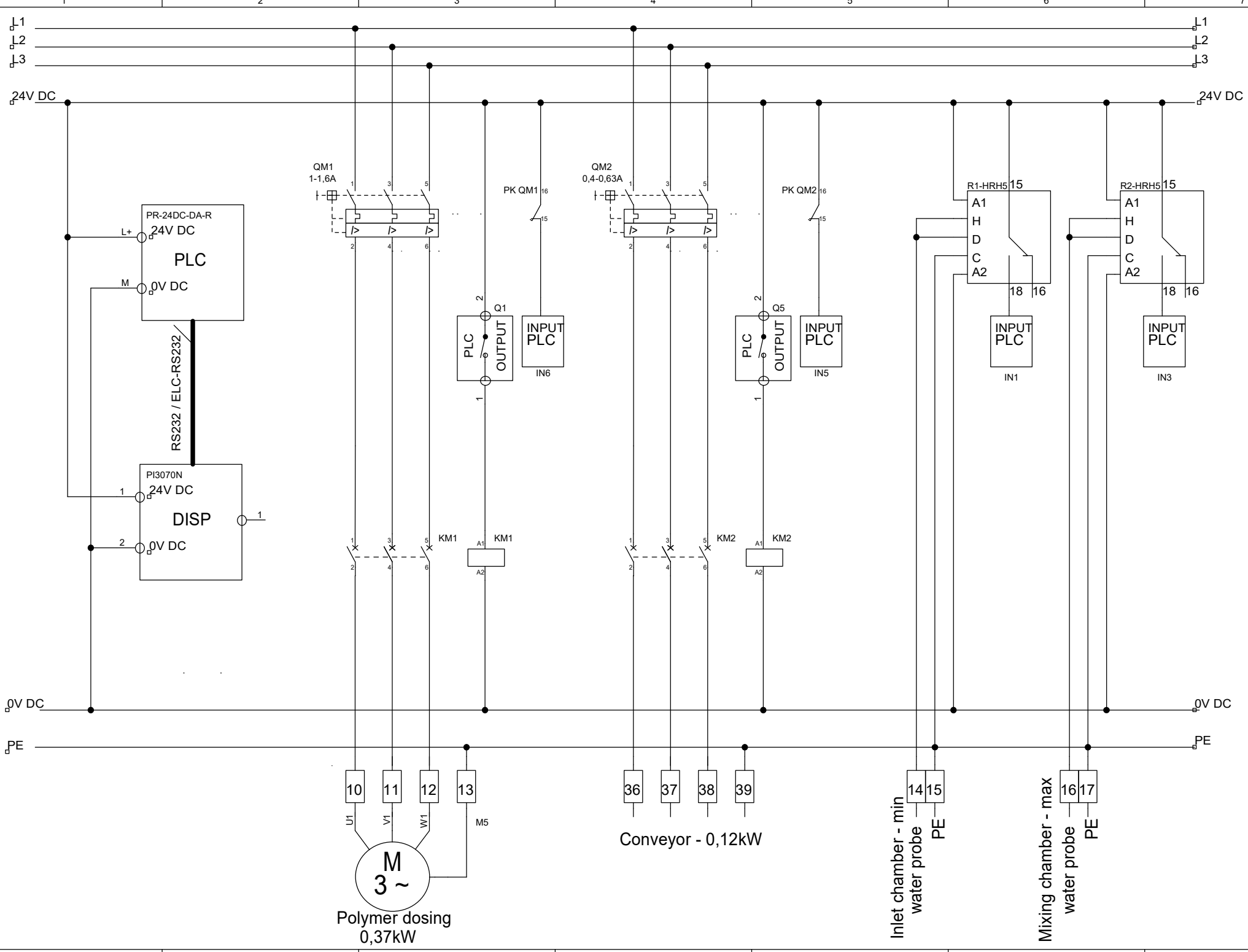
Main power supply
TN-C-S 3x460V AC

Thermal protection 1
NC
Screw motor 1
0,75kW

Thermal protection 2
NC
Screw motor 2
0,75kW

Mixing motor
0,37kW

Feeder pump - 4,0kW



L1
L2
L3

24V DC

PR-24DC-DA-R
24V DC
PLC

PI3070N
24V DC
DISP

QM1
1-1,6A

QM2
0,4-0,63A

PLC
OUTPUT
Q1
INPUT
PLC
IN6

PLC
OUTPUT
Q5
INPUT
PLC
IN5

R1-HRH5 15
A1
H
D
C
A2
INPUT
PLC
IN1

R2-HRH5 15
A1
H
D
C
A2
INPUT
PLC
IN3

0V DC

PE

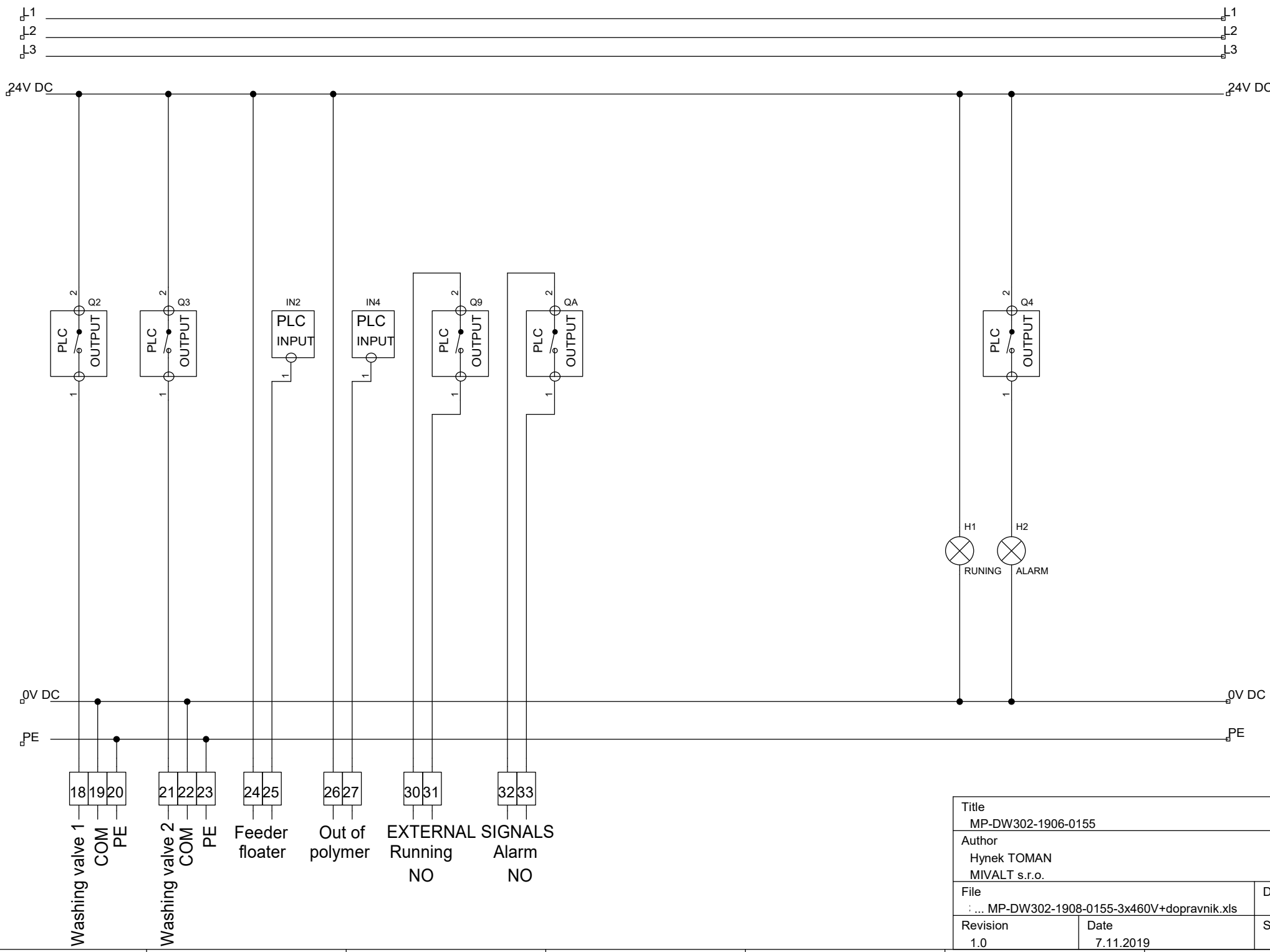
10 11 12 13
U1 V1 W1 M5
M
3~
Polymer dosing
0,37kW

36 37 38 39
Conveyor - 0,12kW

Inlet chamber - min
water probe
PE

Mixing chamber - max
water probe
PE

1 2 3 4 5 6 7



Title MP-DW302-1906-0155		
Author Hynek TOMAN MIVALT s.r.o.		
File ... MP-DW302-1908-0155-3x460V+dopravnik.xls	Document SCHEMA	
Revision 1.0	Date 7.11.2019	Sheets 3