

[ ] in inches

SLUDGE RETURN (OUTLET)  
DN100 (4")  
FLANGE - DIN2576 & ASME B 16.5

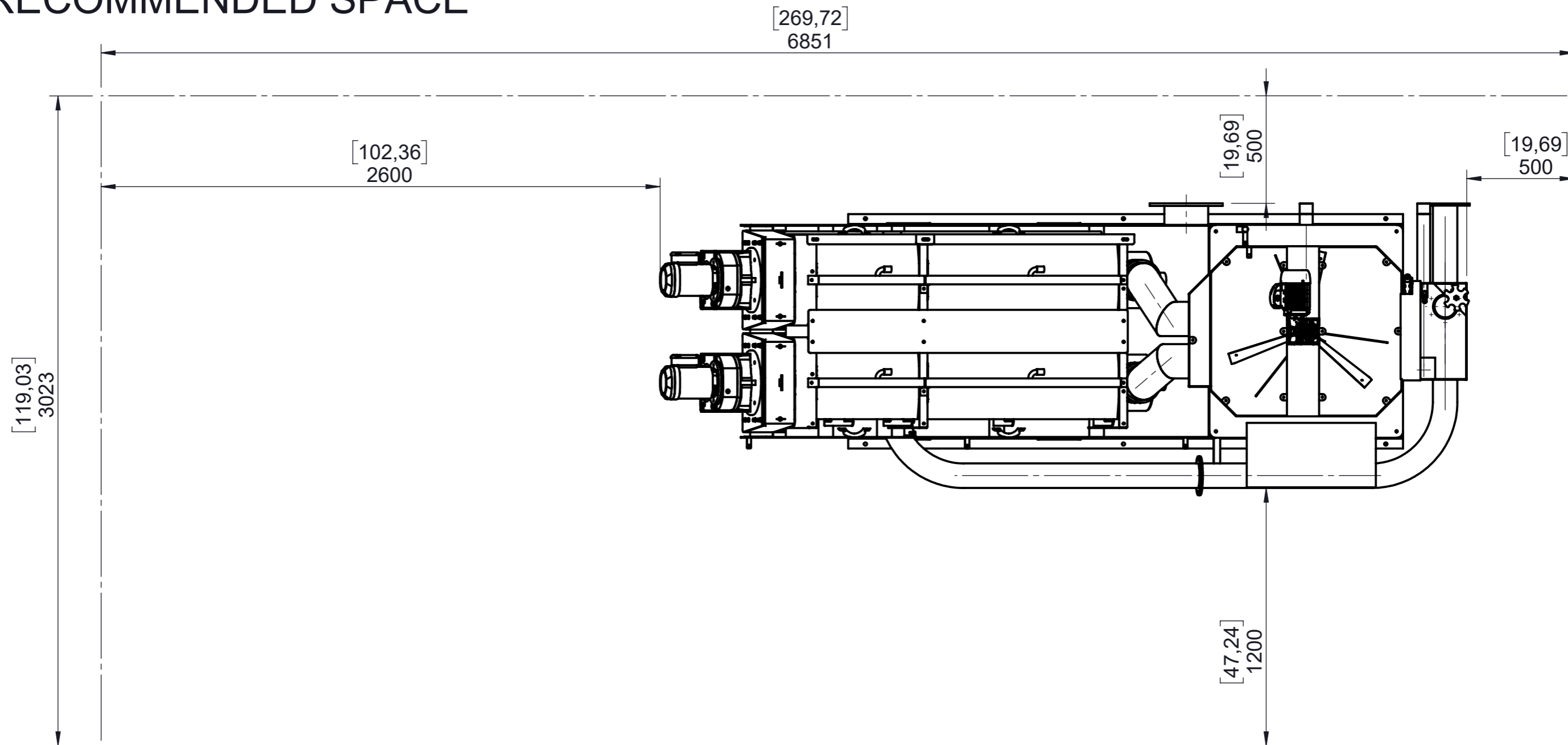
SLUDGE INLET  
DN50  
2" BSP  
MALE

SLUDGE DRAINAGE (OUTLET)  
DN50  
2" BSP  
MALE

FILTRATE OUTLET  
DN200 (8")  
FLANGE DIN2576

UNLESS OTHERWISE SPECIFIED, ALL DIMENSIONS ARE IN MILLIMETERS		SURFACE FINISH:		PROJECTION: ISO-E	SEMI-PRODUCED MATERIAL
				TOLERANCE: ISO 2768 m K	<b>PROTECTED ACCORDING TO ISO 16016</b>
				ACCURACY: ISO 8015	
NAME	SIGNATURE	DATE	ASSEMBLY NO.	pondělí 27. ledna 2014	NAME:
DRAWN BY: ING. TOMÁŠ MÍVALT		CHANGED	T-03b-00	čtvrtek 28. ledna 2021	<b>MP-DW-302</b>
		ASSEMBLY NO.: T-03b-00		MATERIAL:	DRAWING NO: T-03b-00_08
		MATERIAL:		MASS: 976103.41 g	A3
		www.mivalt.cz		SCALE: 1:20	SHEET 1 FROM 3 SHEETS

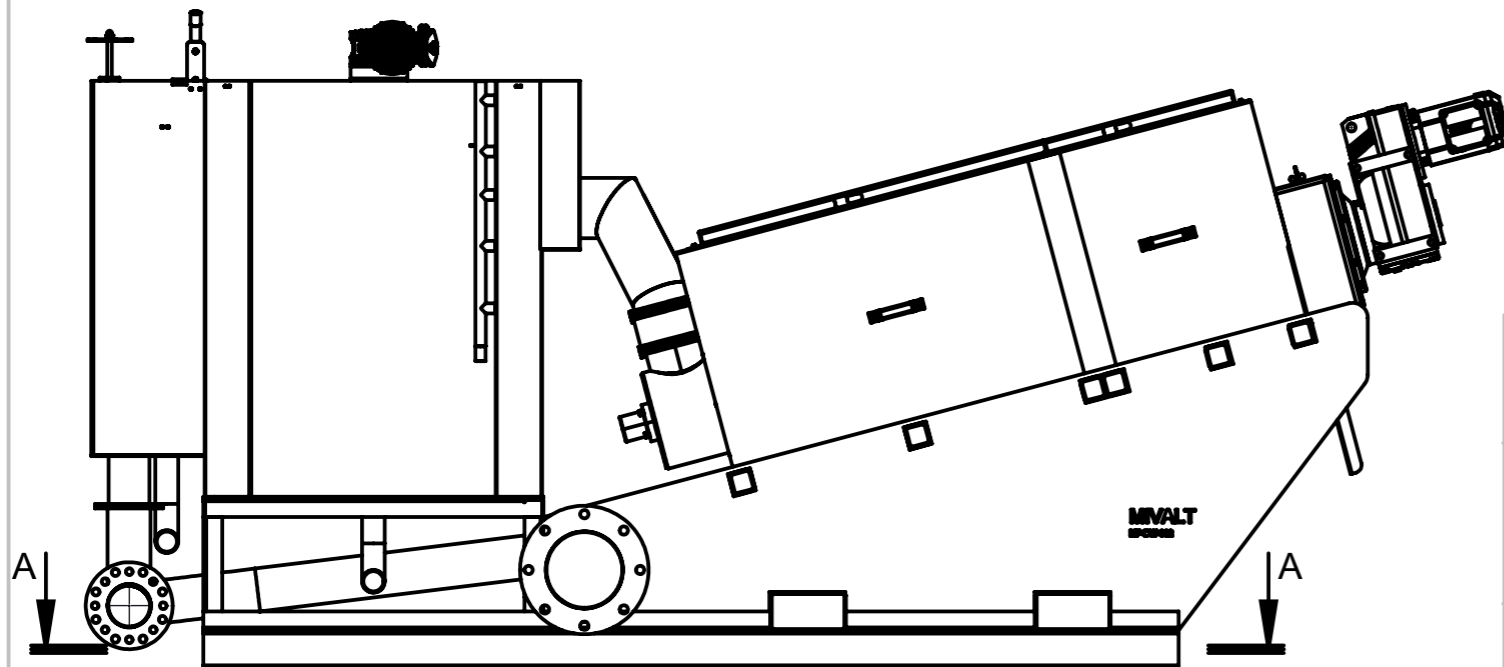
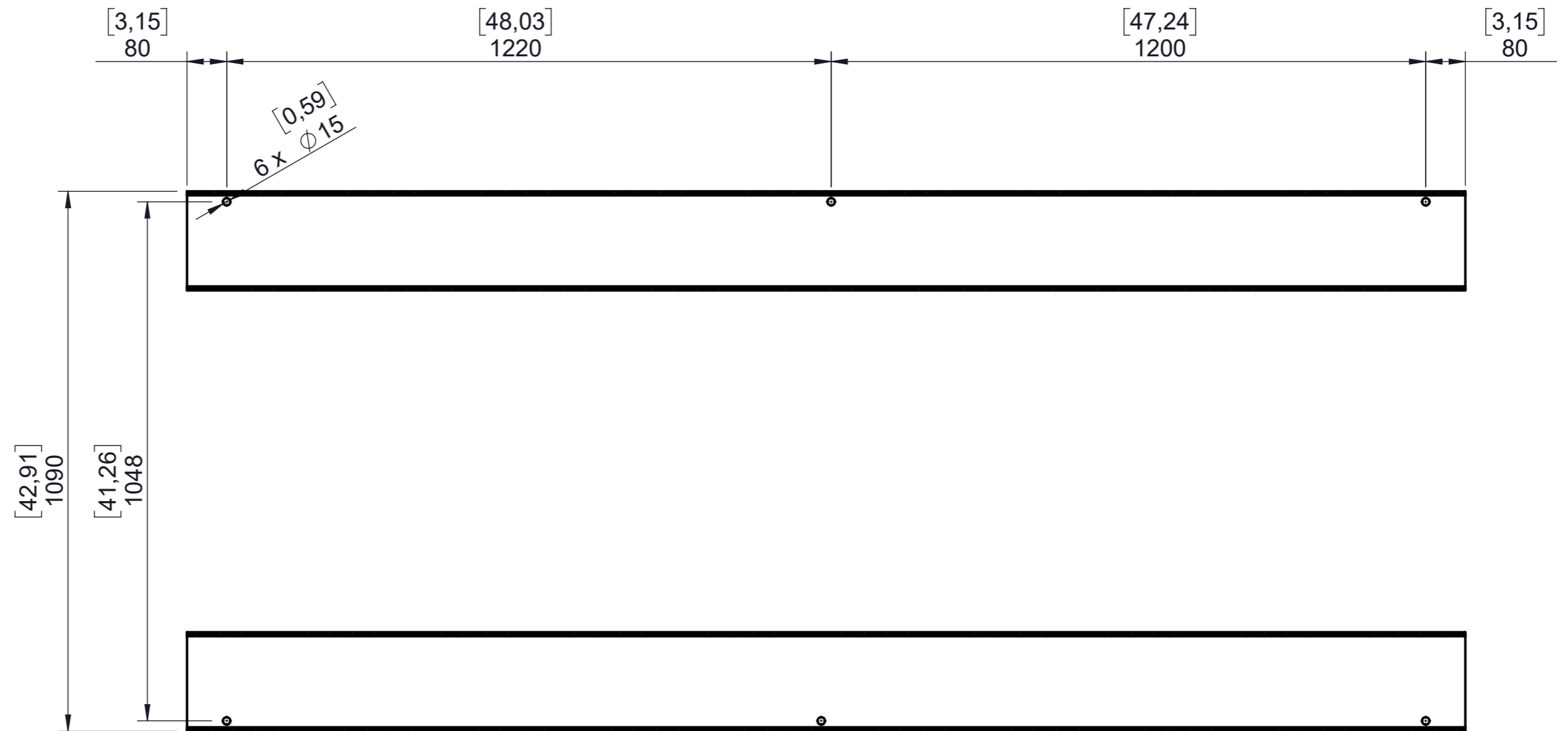
# DOPORUČENÝ MANIPULAČNÍ PROSTOR RECOMMENDED SPACE



□ in inches

UNLESS OTHERWISE SPECIFIED, ALL DIMENSIONS ARE IN MILLIMETERS		SURFACE FINISH:		PROJECTION: ISO-E	SEMI-PRODUCED MATERIAL	
				TOLERANCE: ISO 2768 m K	<b>PROTECTED ACCORDING TO ISO 16016</b>	
				ACCURACY: ISO 8015		
DRAWN BY	NAME	SIGNATURE	DATE	pondělí 27. ledna 2014	NAME:	
	ING. TOMÁŠ MÍVALT		CHANGED	čtvrtek 28. ledna 2021	<b>MP-DW-302</b>	
		ASSEMBLY NO:		T-03b-00	DRAWING NO: T-03b-00_08	
<b>MIVALT</b> obchodní společnost		MATERIAL:			A3	
www.mivalt.cz		MASS: 976103.41 g		SCALE: 1:20	SHEET 2 FROM 3 SHEETS	

# KOTEVNÍ BODY ANCHOR POINTS



□ in inches

UNLESS OTHERWISE SPECIFIED, ALL DIMENSIONS ARE IN MILLIMETERS		SURFACE FINISH:		PROJECTION: ISO-E	SEMIPRODUCED MATERIAL
				TOLERATION: ISO 2768 m K	<b>PROTECTED ACCORDING TO ISO 16016</b>
				ACCURACY: ISO 8015	
NAME	SIGNATURE	DATE	pondělí 27. ledna 2014	NAME:	
DRAWN BY: ING. TOMÁŠ MÍVALT		CHANGED	čtvrtek 28. ledna 2021	<b>MP-DW-302</b>	
		ASSEMBLY NO:	T-03b-00	DRAWING NO: T-03b-00_08	
		MATERIAL:		A3	
www.mivalt.cz		MASS: 976103.41 g		SCALE: 1:20	
				SHEET 3 FROM 3 SHEETS	