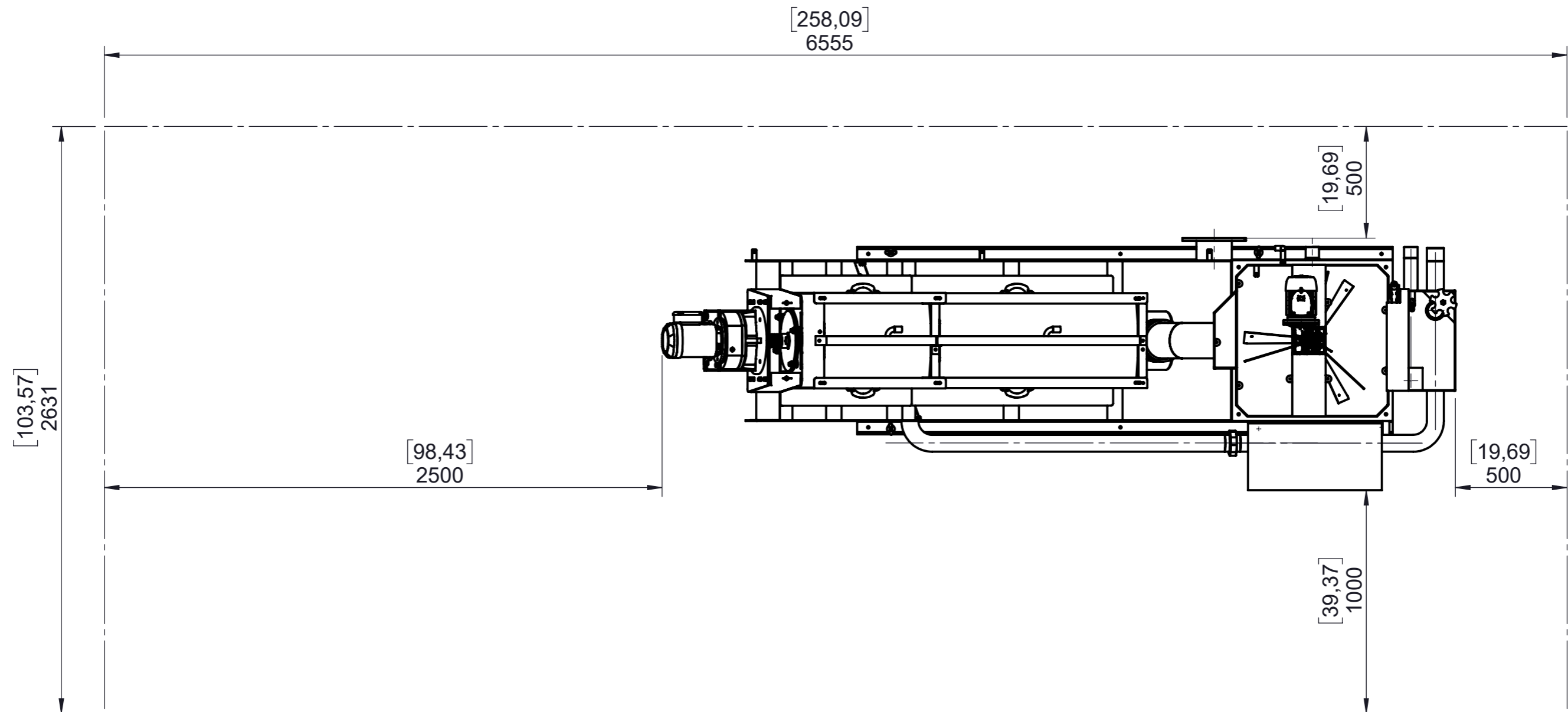


[in inches]

UNLESS OTHERWISE SPECIFIED, ALL DIMENSIONS ARE IN MILLIMETERS		SURFACE FINISH:		PROJECTION: ISO-E		SEMIPRODUCED MATERIAL	
				TOLERATION: ISO 2768 m K		PROTECTED ACCORDING TO ISO 16016	
				ACCURACY: ISO 8015		NAME:	
DRAWN BY: ING. TOMÁŠ MÍVALT		SIGNATURE:		DATE: pondělí 27. ledna 2014		MP-DW-301	
		DATE: čtvrtek 28. ledna 2021		CHANGED:		DRAWING NO: T-03-00-00_12	
				ASSEMBLY NO: T-03-00-00		SCALE: 1:20	
				MATERIAL:		SHEET 1 FROM 3 SHEETS	
MIVALT obchodní firma s r.o.		www.mivalent.cz		MASS: 636948.92 g		A3	

DOPORUČENÝ MANIPULAČNÍ PROSTOR RECOMMENDED SPACE

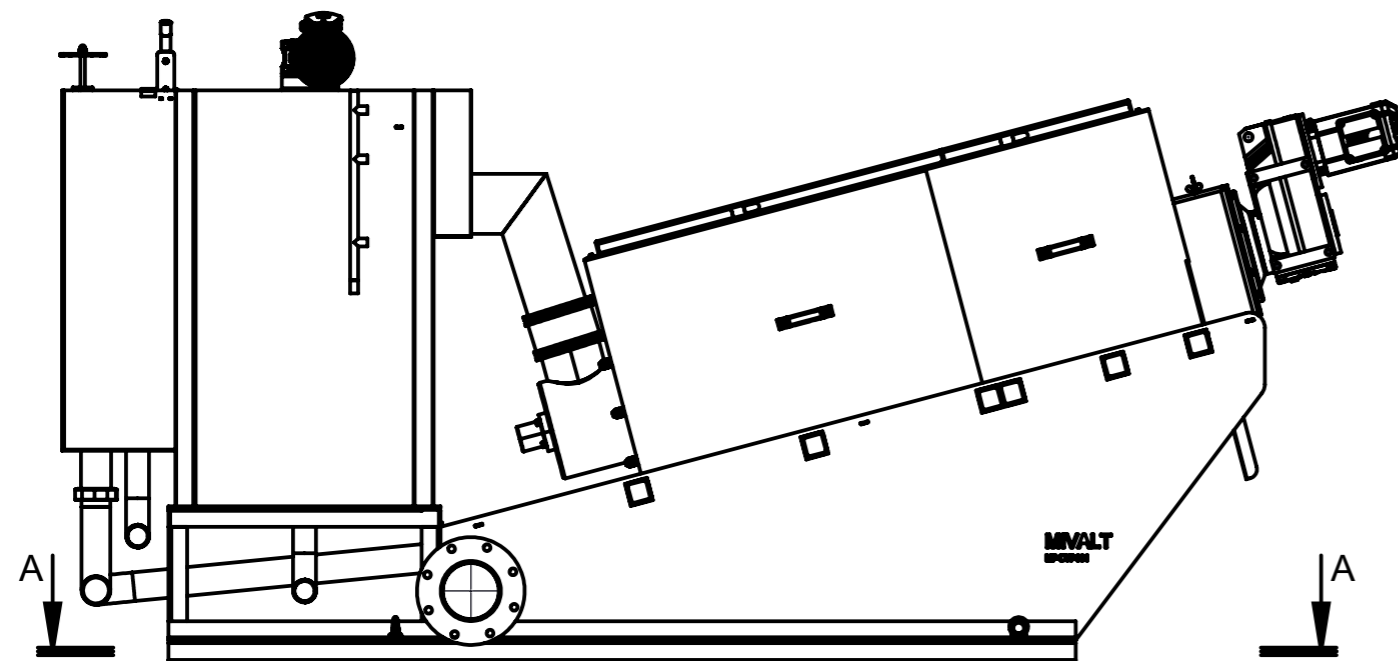
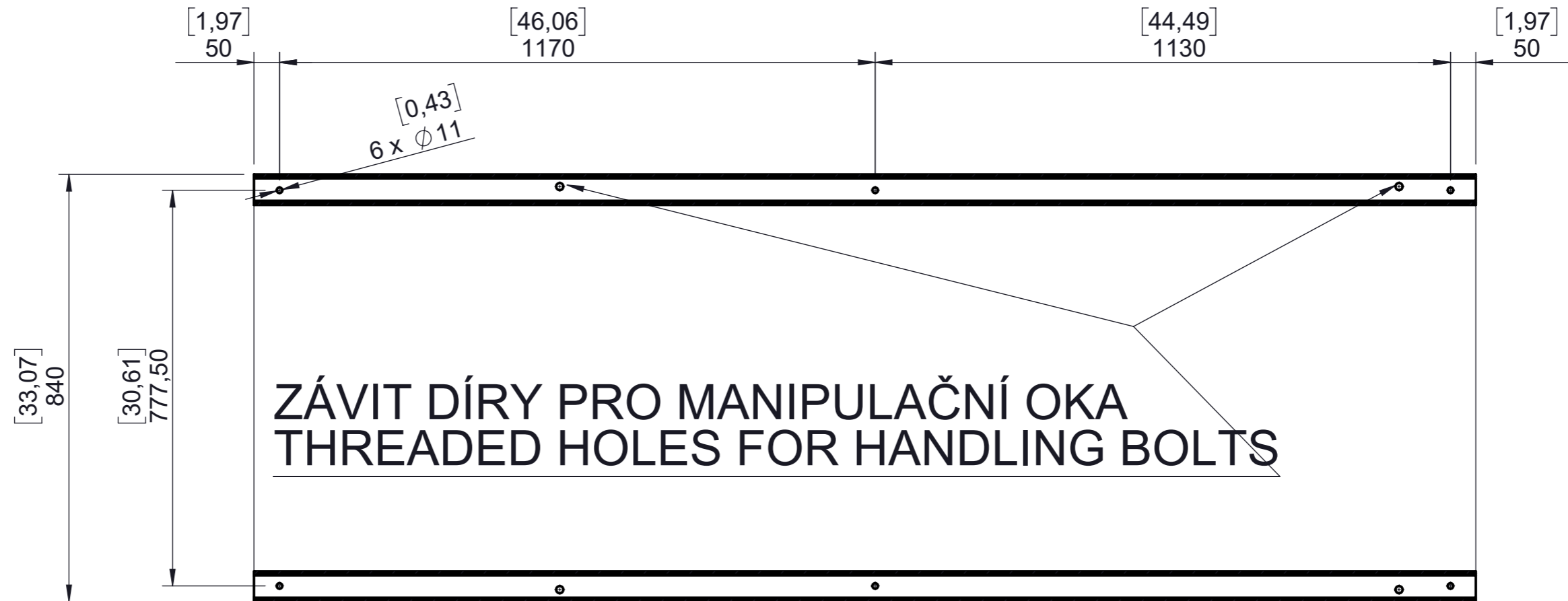


[] in inches

UNLESS OTHERWISE SPECIFIED, ALL DIMENSIONS ARE IN MILLIMETERS		SURFACE FINISH:		PROJECTION: ISO-E	SEMIPRODUCED MATERIAL
				TOLERATION: ISO 2768 m K	PROTECTED ACCORDING TO ISO 16016
				ACCURACY: ISO 8015	
DRAWN BY	NAME	SIGNATURE	DATE	pondělí 27. ledna 2014	NAME:
	ING. TOMÁŠ MÍVALT		CHANGED	čtvrtek 28. ledna 2021	MP-DW-301
				ASSEMBLY NO: T-03-00-00	DRAWING NO: T-03-00-00_12
				MATERIAL:	A3
				MASS: 636948.92 g	SCALE: 1:20
				SHEET 2 FROM 3 SHEETS	

MIVALT
obchodní společnost
www.mivalt.cz

KOTEVNÍ BODY ANCHOR POINTS



UNLESS OTHERWISE SPECIFIED, ALL DIMENSIONS ARE IN MILLIMETERS		SURFACE FINISH:		PROJECTION: ISO-E	SEMI-PRODUCED MATERIAL
				TOLERANCE: ISO 2768 m K	PROTECTED ACCORDING TO ISO 16016
				ACCURACY: ISO 8015	
NAME	SIGNATURE	DATE	ponedělí 27. ledna 2014	NAME:	
DRAWN BY: ING. TOMÁŠ MÍVALT		CHANGED	čtvrtek 28. ledna 2021	MP-DW-301	
		ASSEMBLY NO:	T-03-00-00	DRAWING NO: T-03-00-00_12	
		MATERIAL:		A3	
		www.mivalt.cz		SCALE: 1:20	
		MASS: 636948.92 g		SHEET 3 FROM 3 SHEETS	