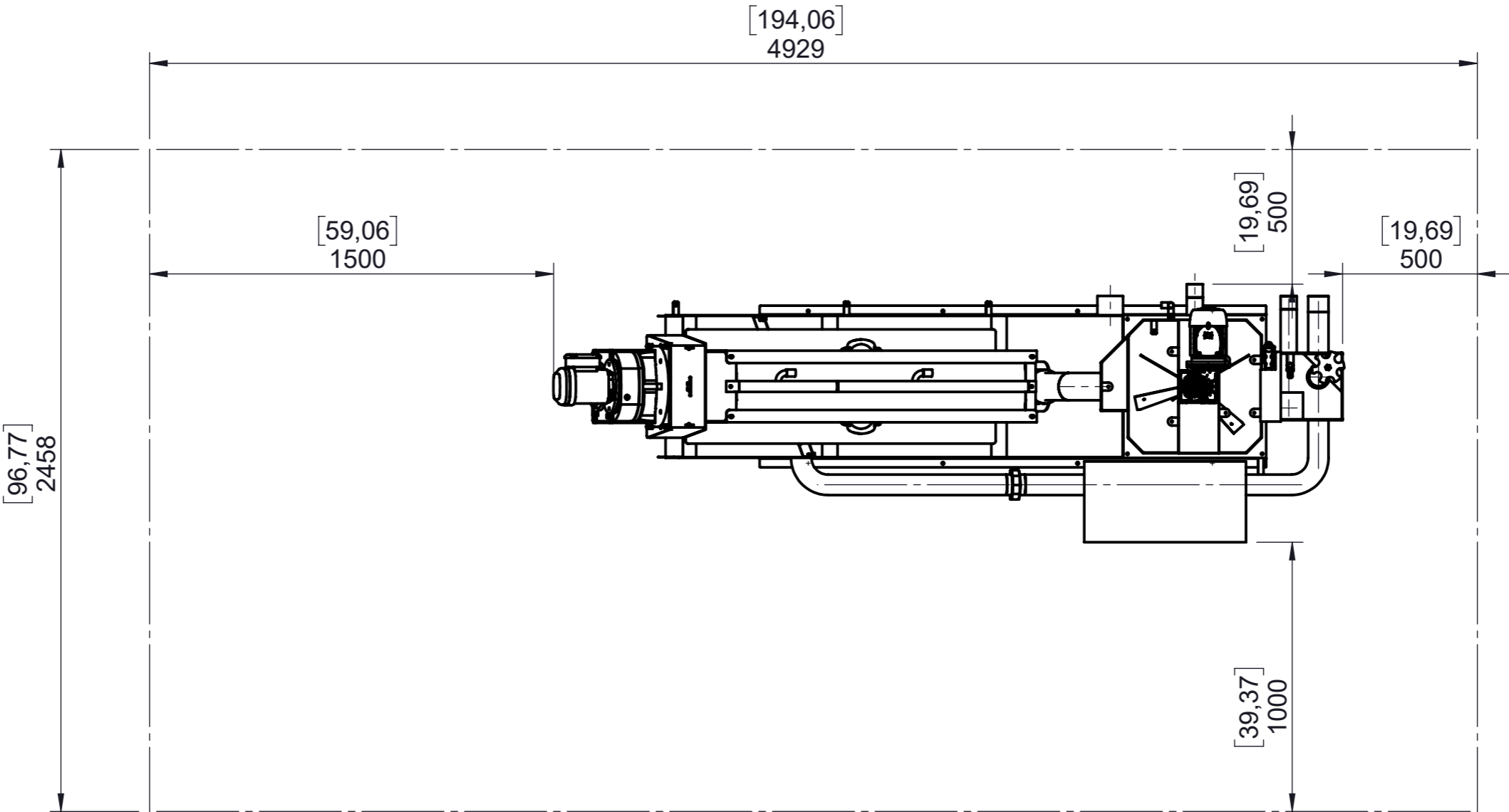


□ in inches

UNLESS OTHERWISE SPECIFIED, ALL DIMENSIONS ARE IN MILLIMETERS		SURFACE FINISH:		PROJECTION: ISO-E	SEMI-PRODUCED MATERIAL
				TOLERANCE: ISO 2768 m K	PROTECTED ACCORDING TO ISO 16016
				ACCURACY: ISO 8015	
DRAWN BY: ING. TOMÁŠ MÍVALT		SIGNATURE:	DATE:	pondělí 27. ledna 2014	NAME:
			CHANGED:	čtvrtek 28. ledna 2021	MP-DW-201
		ASSEMBLY NO:		T-02-00-00	DRAWING NO:
		MATERIAL:			T-02-00-00_10
MIVALT obchodní firma		www.mivalt.cz		MASS: 378614.48 g	A3
				SCALE: 1:20	SHEET 1 FROM 3 SHEETS

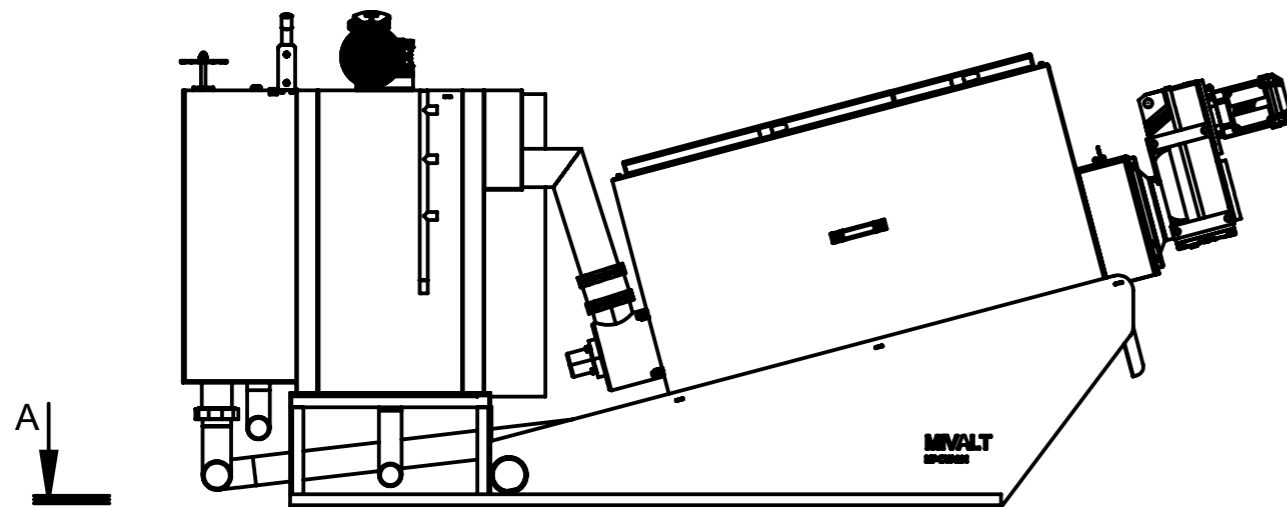
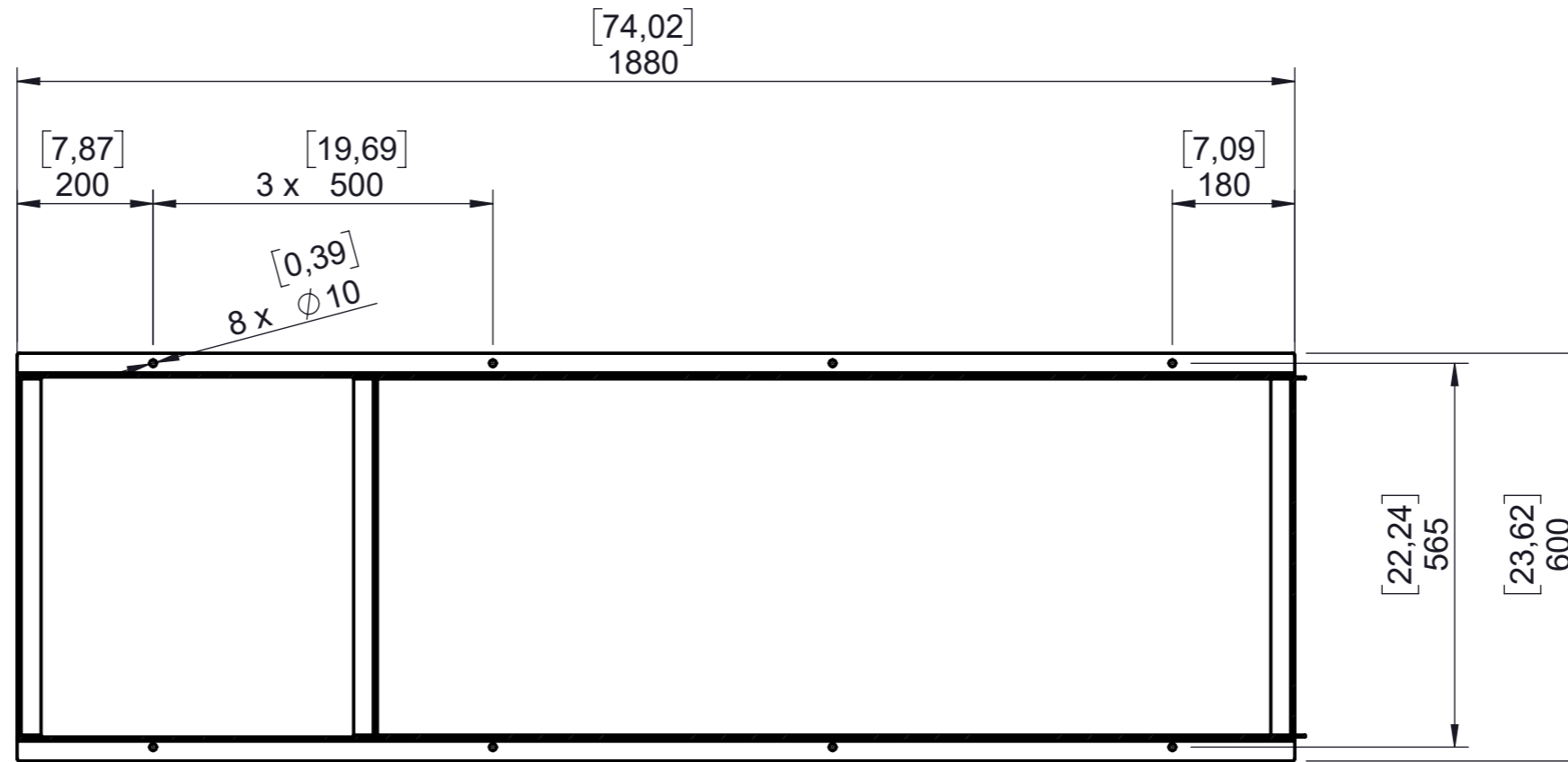
DOPORUČENÝ MANIPULAČNÍ PROSTOR RECOMMENDED SPACE



[] in inches

UNLESS OTHERWISE SPECIFIED, ALL DIMENSIONS ARE IN MILLIMETERS		SURFACE FINISH:		PROJECTION: ISO-E	SEMI-PRODUCED MATERIAL
				TOLERANCE: ISO 2768 m K	PROTECTED ACCORDING TO ISO 16016
				ACCURACY: ISO 8015	
DRAWN BY	NAME	SIGNATURE	DATE	pondělí 27. ledna 2014	NAME:
	ING. TOMÁŠ MÍVALT		CHANGED	čtvrtek 28. ledna 2021	MP-DW-201
		ASSEMBLY NO:		T-02-00-00	DRAWING NO:
		MATERIAL:			T-02-00-00_10
MIVALT obchodní společnost		www.mivalt.cz		MASS: 378614.48 g	A3
				SCALE: 1:20	SHEET 2 FROM 3 SHEETS

KOTEVNÍ BODY ANCHOR POINTS



[] in inches

UNLESS OTHERWISE SPECIFIED, ALL DIMENSIONS ARE IN MILLIMETERS		SURFACE FINISH:		PROJECTION: ISO-E	SEMI-PRODUCED MATERIAL
				TOLERANCE: ISO 2768 m K	PROTECTED ACCORDING TO ISO 16016
				ACCURACY: ISO 8015	
DRAWN BY: ING. TOMÁŠ MÍVALT		SIGNATURE:	DATE: pondělí 27. ledna 2014	NAME: MP-DW-201	
		CHANGED:	čtvrtek 28. ledna 2021	DRAWING NO: T-02-00-00_10	
		ASSEMBLY NO: T-02-00-00		SCALE: 1:20	
MIVALT obchodní společnost		MATERIAL:		SHEET 3 FROM 3 SHEETS	
www.mivalt.cz		MASS: 378614.48 g		A3	