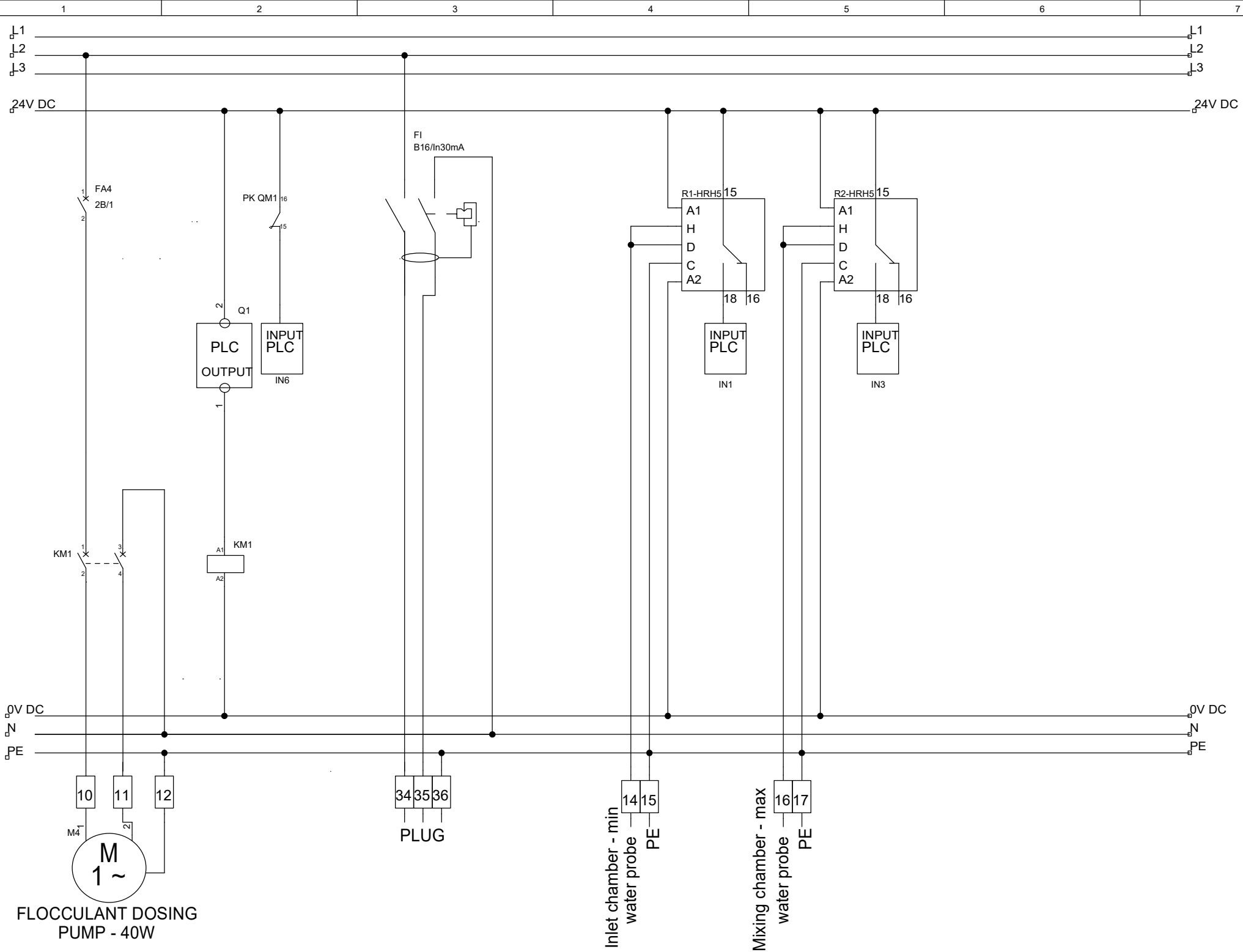


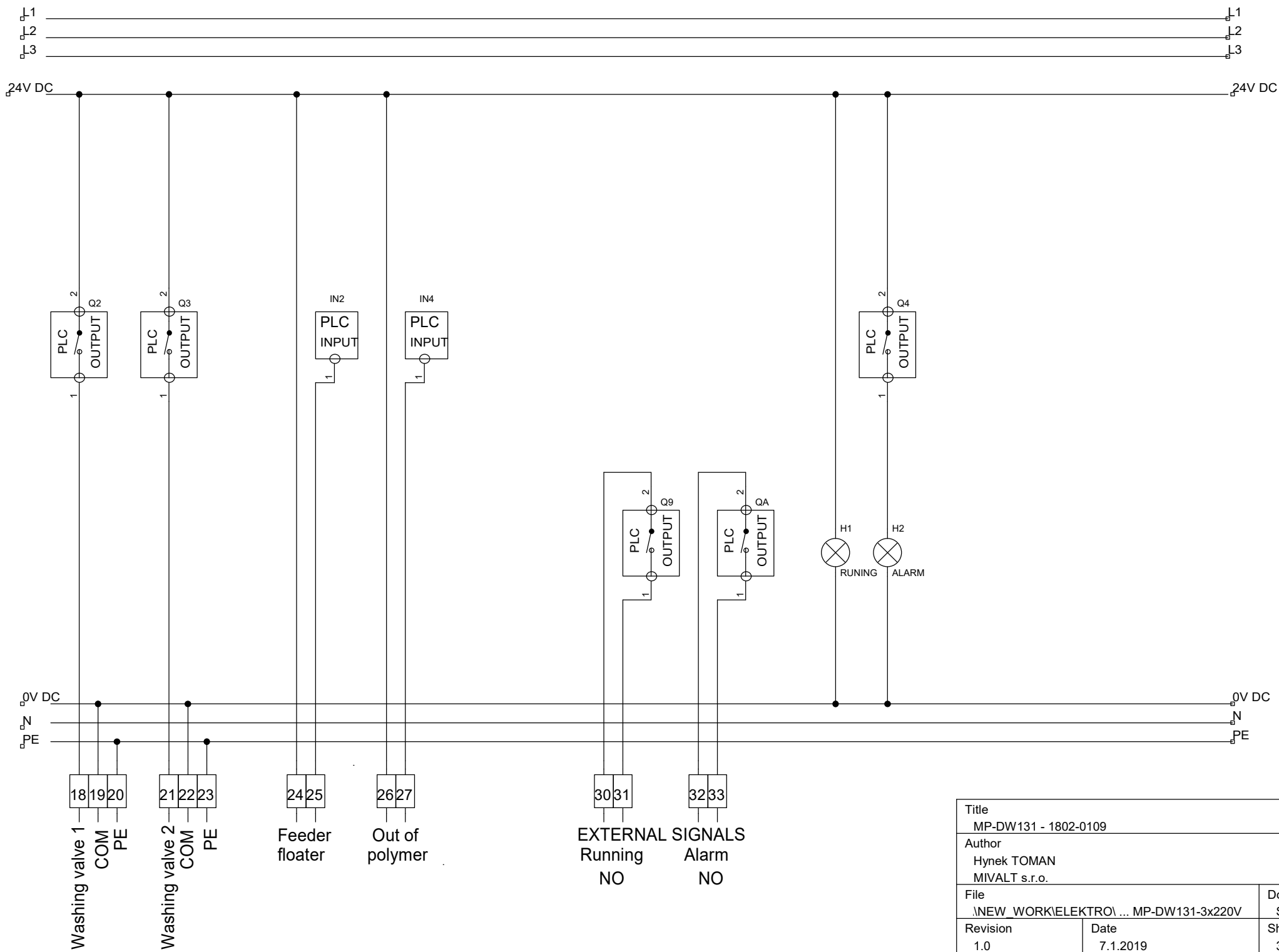
Main power supply

Screw motor 0,12kW

Mixing motor 0,37kW

Feeder pump - 1,5kW





Title MP-DW131 - 1802-0109		
Author Hynek TOMAN MIVALT s.r.o.		
File \\NEW_WORK\ELEKTRO\... MP-DW131-3x220V	Document SCHEMA	
Revision 1.0	Date 7.1.2019	Sheets 3